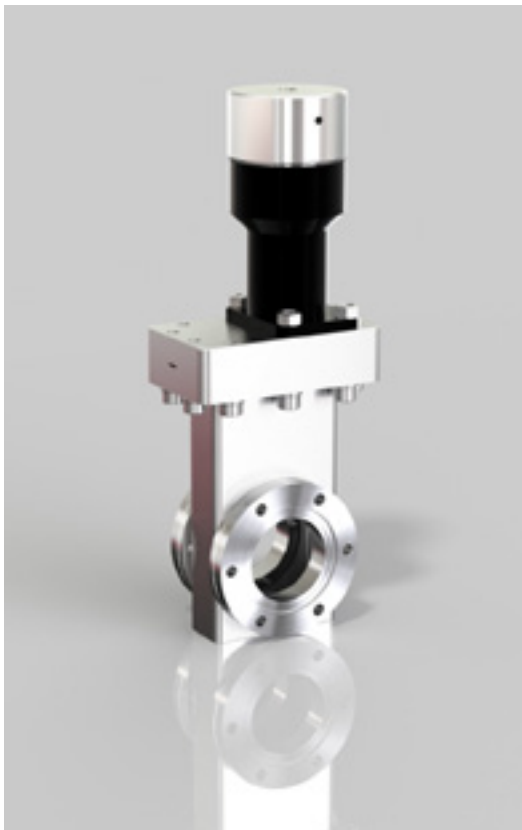


**GATE VALVE CATALOGUE**



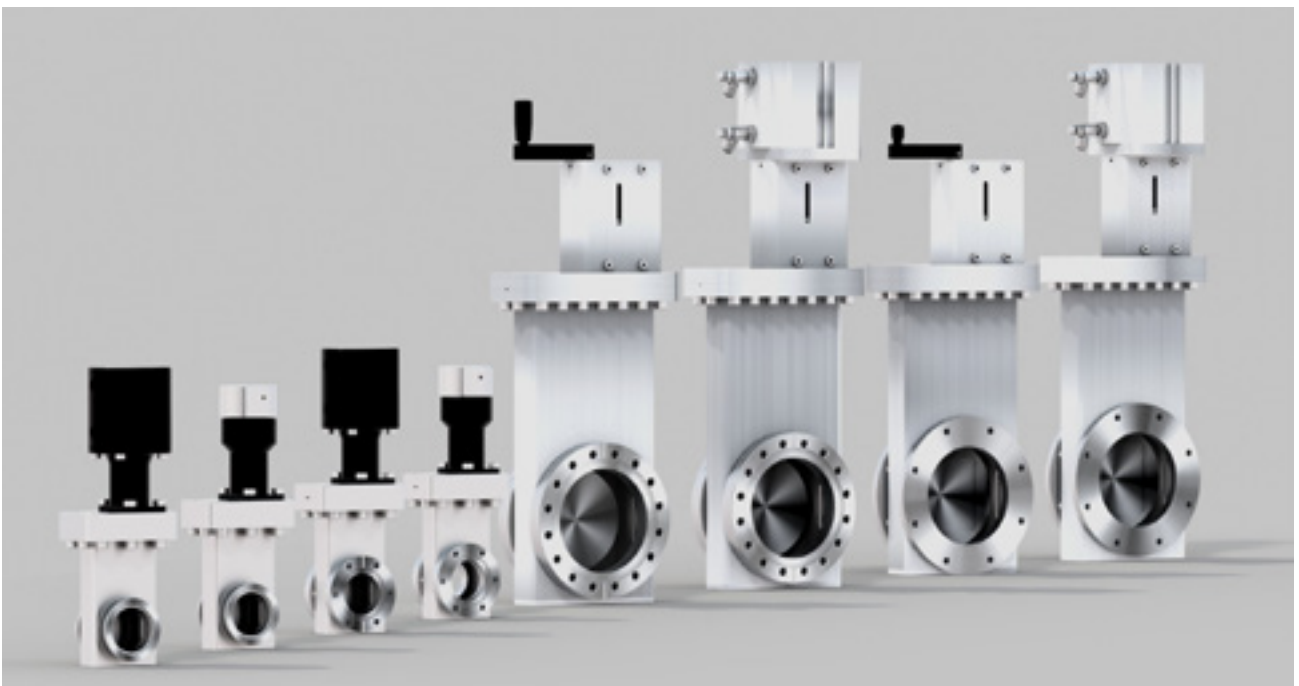
# CONTENTS

<b>HV GATE VALVE</b> .....	<b>3</b>
• Manually Operated, Viton Bonnet Seal with Bellows, KF flange .....	3
• Pneumatically Actuated, Viton Bonnet Seal with Bellows, KF flange .....	3
• Manually Operated, Viton Bonnet Seal with Bellows, ISO-F flange .....	3
• Pneumatically Actuated, Viton Bonnet Seal with Bellows, ISO-F flange .....	3
<b>UHV GATE VALVE</b> .....	<b>5</b>
• Manually Operated, Copper Bonnet Seal with Bellows, CF flange .....	5
• Pneumatically Actuated, Copper Bonnet Seal with Bellows, CF flange .....	5

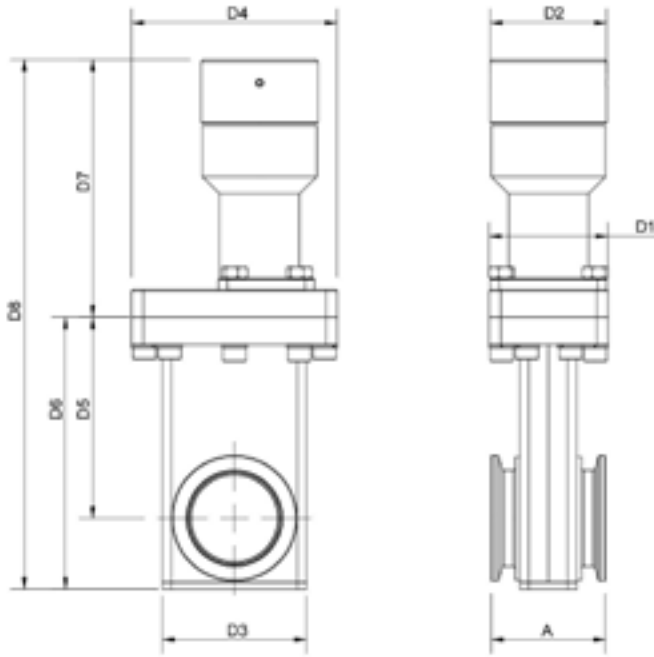


## SPECIFICATION

Material	<ul style="list-style-type: none"><li>- Body 304L stainless steel</li><li>- Carriage 304L stainless steel</li><li>- Gate 304L stainless steel</li><li>- Bellows AM350</li></ul>
Seal	<ul style="list-style-type: none"><li>- Gate - Standard Viton o - ring, alternatives available on request</li><li>- Bonnet - Viton o-ring / OFHC Copper</li></ul>
Leak Rate	- Tested at 1 atm differential - $< 5 \times 10^{-10}$ std cc/sec for gasket seal
Pressure Range	- $10^{-10}$ Torr ~ Atmosphere
Bakeable Temperature	<ul style="list-style-type: none"><li>- Open 200°C</li><li>- Closed 150°C</li></ul>
Air Pressure	- 5 - 8 kg/cm <sup>2</sup>
Finish	- Brushed polished
Cycles to first Maintenance	<ul style="list-style-type: none"><li>- KF range, ISO63 &amp; 100, DN40CF - DN100CF - 100,000 Cycles</li><li>ISO160 / DN150CF and above - 50,000 Cycles</li></ul>
Options available	<ul style="list-style-type: none"><li>- Position indicator</li><li>- Roughing port</li><li>- Additional fittings can be added, suitable for venting, gas lines and leak valves</li><li>- Pneumatic control solenoid</li></ul>

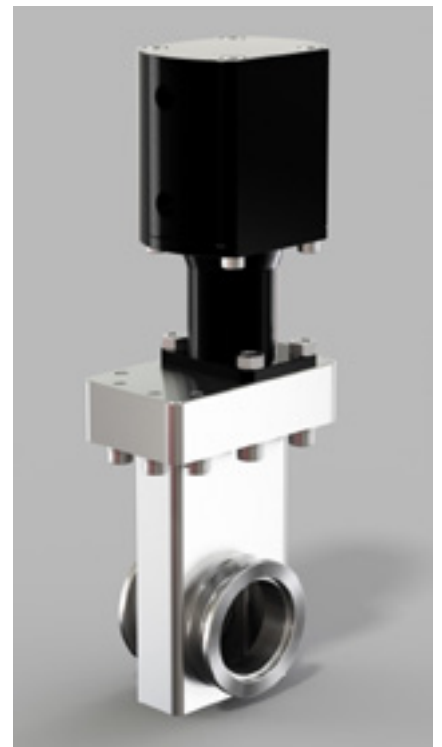
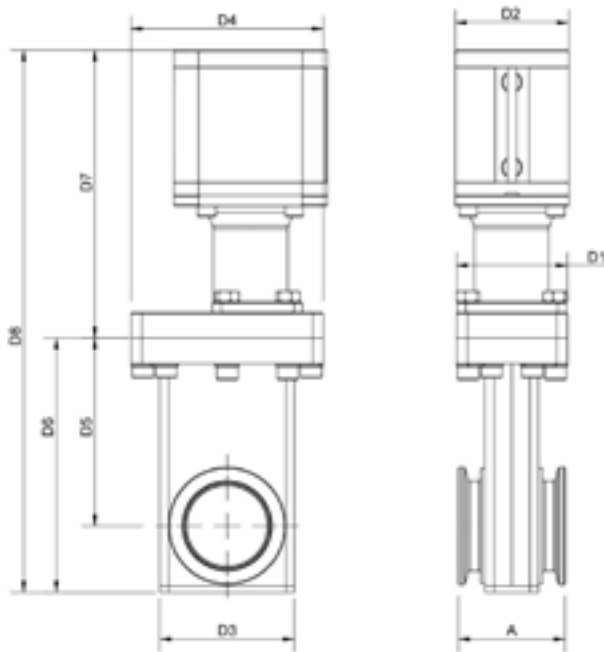


MANUALLY OPERATED, VITON BONNET SEAL WITH BELLOWS - Port Connection KF Flange.



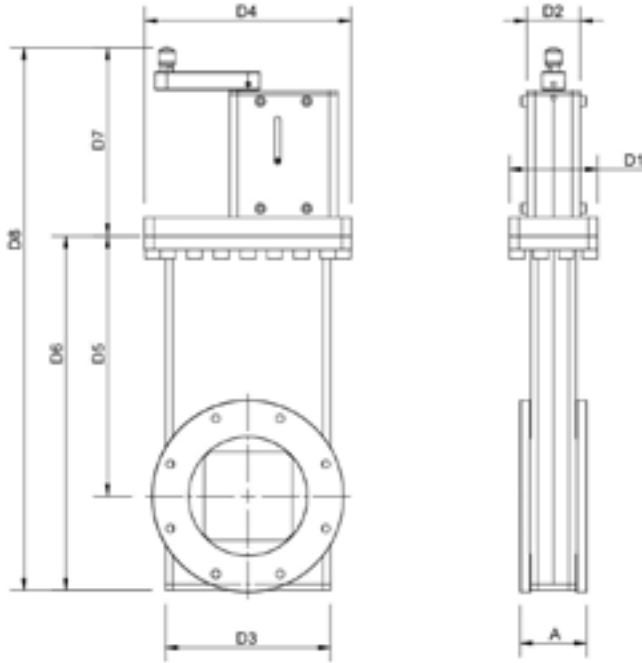
PART NUMBER	A	D1	D2	D3	D4	D5	D6	D7	D8
MGV40K-B	50 (1.97)	52 (2.05)	51 (2.01)	63 (2.48)	90 (3.54)	88 (3.46)	119 (4.69)	113 (4.45)	232 (9.13)
MGV50K-B	59 (2.32)	56 (2.20)	51 (2.01)	81 (3.19)	104 (4.09)	123 (4.84)	167 (6.57)	129 (5.08)	296 (11.65)

PNEUMATICALLY ACTUATED, VITON BONNET SEAL WITH BELLOWS - Port Connection KF Flange.



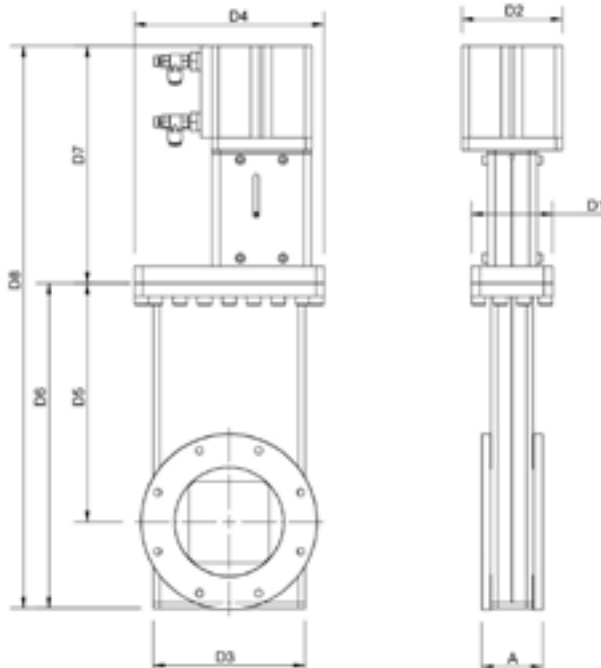
PART NUMBER	A	D1	D2	D3	D4	D5	D6	D7	D8
PGV40K-B	50 (1.97)	52 (2.05)	53 (2.09)	63 (2.48)	90 (3.54)	88 (3.46)	119 (4.69)	135 (5.31)	254 (10.00)
PGV50K-B	59 (2.32)	56 (2.20)	53 (2.09)	81 (3.19)	104 (4.09)	123 (4.84)	167 (6.57)	154 (6.06)	321 (12.64)

**MANUALLY OPERATED, VITON BONNET SEAL WITH BELLOWS - Port Connection ISO-F Flange.**



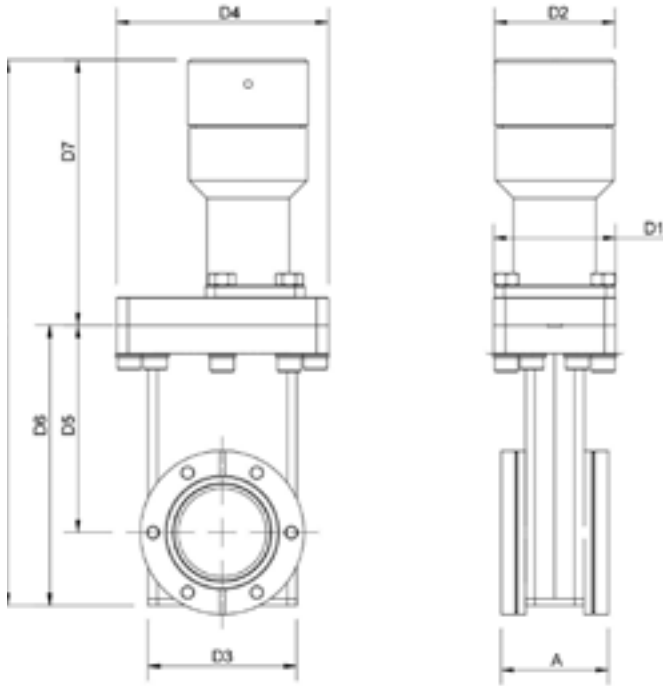
PART NUMBER	A	D1	D2	D3	D4	D5	D6	D7	D8
MGV63ISO-F-B	57 (2.24)	76 (2.99)	46 (1.81)	112 (4.41)	145 (5.71)	189 (7.44)	251 (9.88)	179 (7.05)	430 (16.93)
MGV100ISO-F-B	57 (2.24)	76 (2.99)	46 (1.81)	142 (5.59)	178 (7.01)	224 (8.82)	305 (12.01)	183 (7.20)	486 (19.13)
MGV160ISO-F-B	66 (2.6)	76 (2.99)	51 (2.01)	196 (7.72)	232 (9.13)	294 (11.57)	392 (15.43)	261 (10.28)	653 (25.71)
MGV200ISO-F-B	65 (2.56)	78 (3.07)	51 (2.01)	243 (9.57)	277 (10.91)	348 (13.7)	472 (18.58)	261 (10.28)	733 (28.86)

**PNEUMATICALLY ACTUATED, VITON BONNET SEAL WITH BELLOWS - Port Connection ISO-F Flange.**



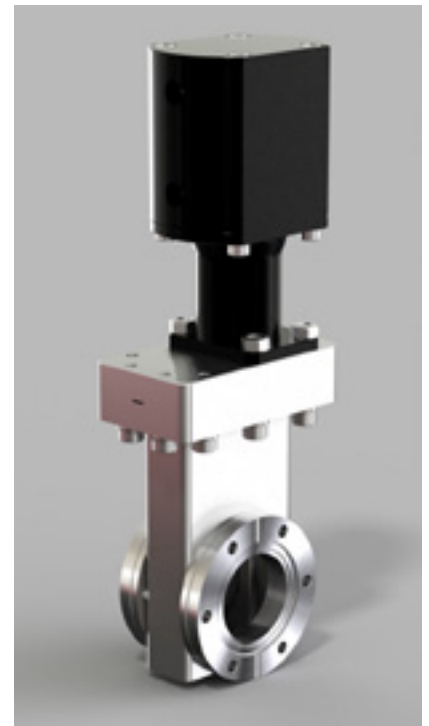
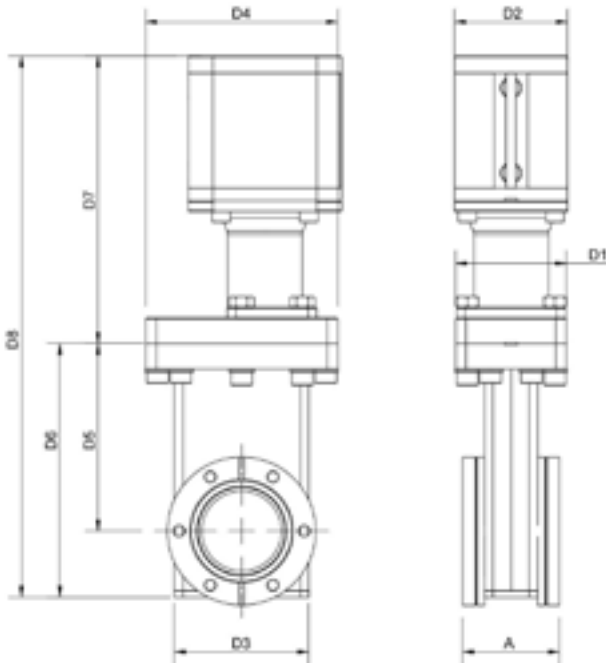
PART NUMBER	A	D1	D2	D3	D4	D5	D6	D7	D8
PGV63ISO-F-B	57 (2.24)	76 (2.99)	94 (3.70)	112 (4.41)	145 (5.71)	189 (7.44)	251 (9.88)	219 (8.62)	470 (18.5)
PGV100ISO-F-B	57 (2.24)	76 (2.99)	94 (3.70)	142 (5.59)	178 (7.01)	224 (8.82)	305 (12.01)	223 (8.78)	528 (20.79)
PGV160ISO-F-B	66 (2.6)	76 (2.99)	114 (4.49)	196 (7.72)	232 (9.13)	294 (11.57)	392 (15.43)	239 (9.41)	631 (24.84)
PGV200ISO-F-B	65 (2.56)	78 (3.07)	114 (4.49)	243 (9.57)	277 (10.91)	348 (13.7)	472 (18.58)	239 (9.41)	711 (27.99)

**MANUALLY OPERATED, COPPER BONNET SEAL WITH BELLOWS - Port Connection CF Flange.**



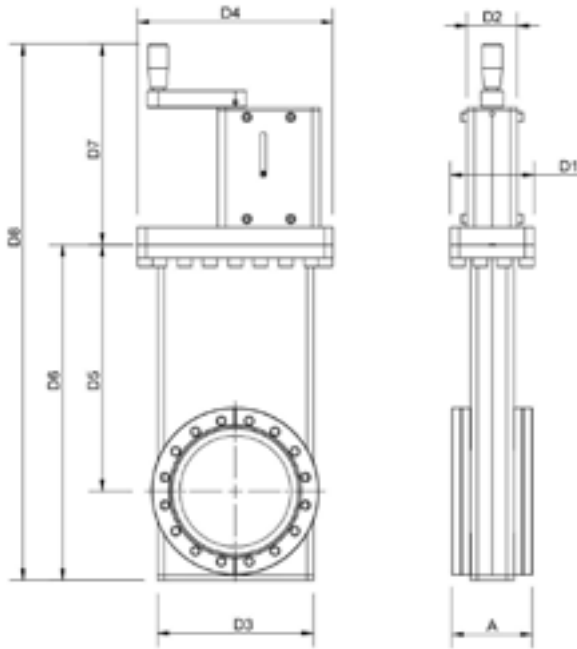
PART NUMBER	A	D1	D2	D3	D4	D5	D6	D7	D8
MGV35-B	45.4 (1.79)	52 (2.05)	51 (2.01)	63 (2.48)	90 (3.54)	88 (3.46)	119 (4.69)	113 (4.45)	232 (9.13)
MGV50-B	56.0 (2.2)	56 (2.2)	51 (2.01)	81 (3.19)	104 (4.09)	123 (4.84)	167 (6.57)	129 (5.08)	296 (11.65)

**PNEUMATICALLY ACTUATED, COPPER BONNET SEAL WITH BELLOWS - Port Connection CF Flange.**



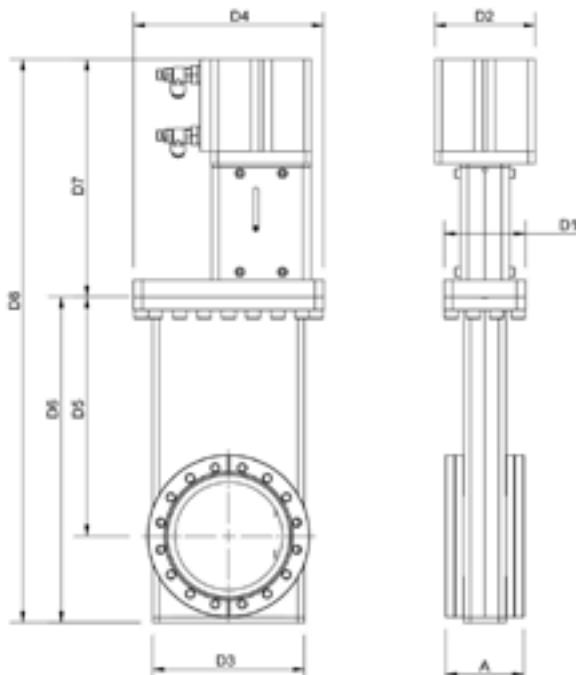
PART NUMBER	A	D1	D2	D3	D4	D5	D6	D7	D8
PGV35-B	45.4 (1.79)	52 (2.05)	53 (2.09)	63 (2.48)	90 (3.54)	88 (3.46)	119 (4.69)	135 (5.31)	254 (10.00)
PGV50-B	56.0 (2.2)	56 (2.2)	53 (2.09)	81 (3.19)	104 (4.09)	123 (4.84)	167 (6.57)	154 (6.06)	321 (12.64)

**MANUALLY OPERATED, COPPER BONNET SEAL WITH BELLOWS - Port Connection CF Flange.**

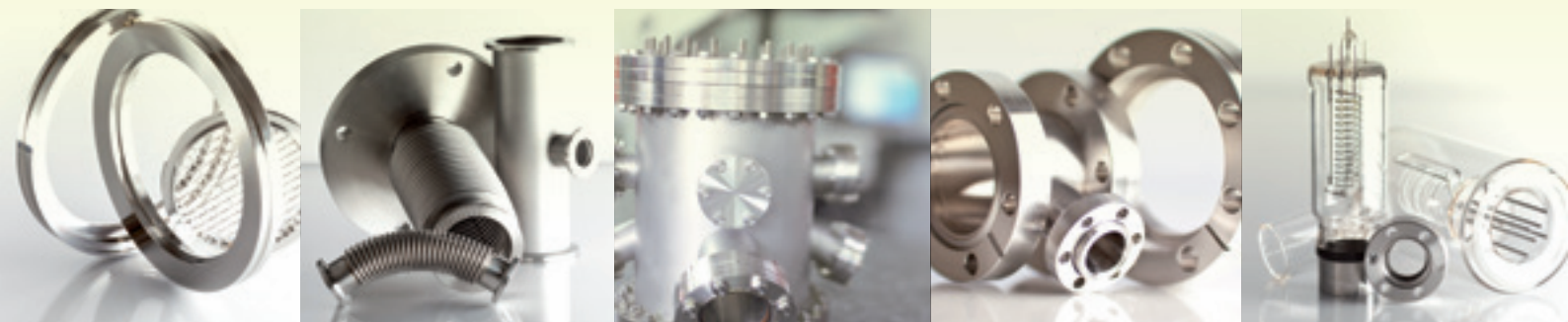


PART NUMBER	A	D1	D2	D3	D4	D5	D6	D7	D8
MGV63-B	69.0 (2.72)	76 (2.99)	46 (1.81)	112 (4.41)	145 (5.71)	189 (7.44)	251 (9.88)	158 (6.22)	409 (16.10)
MGV100-B	73.0 (2.87)	76 (2.99)	46 (1.81)	142 (5.59)	178 (7.01)	224 (8.82)	305 (12.01)	162 (6.38)	467 (18.39)
MGV150-B	78.0 (3.07)	76 (2.99)	51 (2.01)	195 (7.68)	232 (9.13)	294 (11.57)	392 (15.43)	240 (9.45)	632 (24.88)
MGV200-B	82.4 (3.24)	78 (3.07)	51 (2.01)	196 (7.72)	277 (10.91)	348 (13.70)	472 (18.58)	240 (9.45)	712 (28.03)

**PNEUMATICALLY ACTUATED, COPPER BONNET SEAL WITH BELLOWS - Port Connection CF Flange.**



PART NUMBER	A	D1	D2	D3	D4	D5	D6	D7	D8
PGV63-B	69.0 (2.72)	76 (2.99)	94 (3.70)	112 (4.41)	145 (5.71)	189 (7.44)	251 (9.88)	219 (8.62)	470 (18.5)
PGV100-B	73.0 (2.87)	76 (2.99)	94 (3.70)	142 (5.59)	178 (7.01)	224 (8.82)	305 (12.01)	223 (8.78)	528 (20.79)
PGV150-B	78.0 (3.07)	76 (2.99)	114 (4.49)	195 (7.68)	232 (9.13)	294 (11.57)	392 (15.43)	239 (9.41)	631 (24.84)
PGV200-B	82.4 (3.24)	78 (3.07)	114 (4.49)	196 (7.72)	277 (10.91)	348 (13.7)	472 (18.58)	239 (9.41)	711 (27.99)



Menzies Road, Ponswood Industrial Estate, St. Leonards on Sea, East Sussex, TN38 9BB, England

Telephone: + 44 (0)1424 442121

Email: [sales@itl-vacuum.com](mailto:sales@itl-vacuum.com)

[www.itl-vacuum.com](http://www.itl-vacuum.com)