

ITL Part Code - KF25C



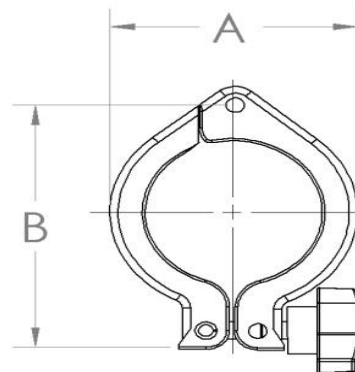
Specification

Material: Aluminum

Pressure range: 10 mbar to 10 bar.

Temperature range: -10 to 200°C

A =	50 (1.97)
B =	74 (2.91)



Specialist UK manufacturers and suppliers of standard and bespoke vacuum products.
For all enquiries please contact us on: