

ITL Part Code - KF40C



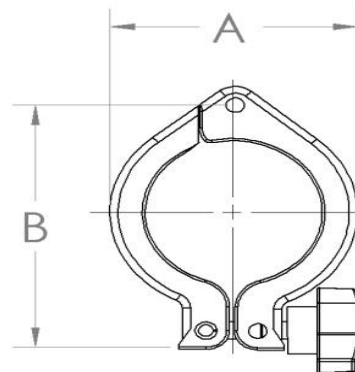
Specification

Material: Aluminum

Pressure range: 10 mbar to 10 bar.

Temperature range: -10 to 200°C

| | |
|-----|-----------|
| A = | 65 (2.56) |
| B = | 89 (3.50) |



Specialist UK manufacturers and suppliers of standard and bespoke vacuum products.
For all enquiries please contact us on: