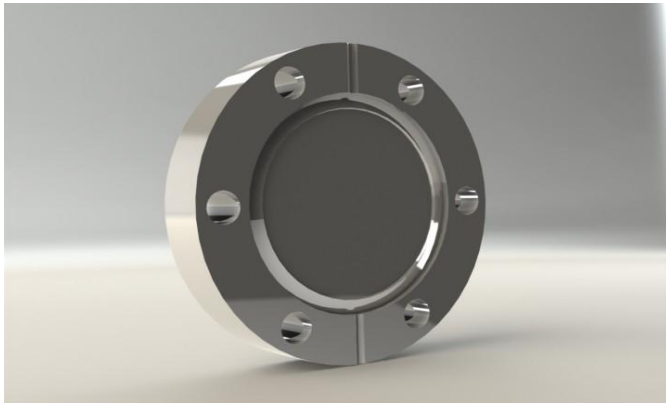


ITL Part Code - F35



Specification

Material: 304L Stainless Steel

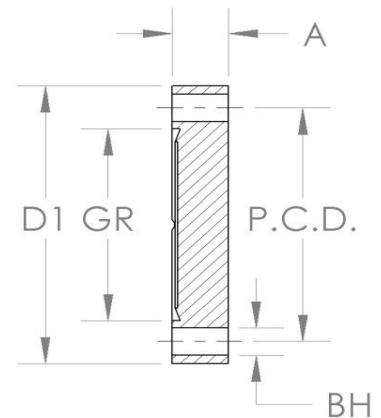
Available in 316L and 316LN on request.

Clear bolt holes:

| A | D1 | GR | PCD | BH | Bolt Holes |
|-------------|-----------|-----------|-----------|------------|------------|
| 12.7 (0.50) | 70 (2.75) | 48 (1.89) | 58 (2.28) | 6.7 (0.26) | 6 |

Tapped bolt holes:

| Part No | Thread Dia |
|---------|------------|
| F35T | M6 |



Specialist UK manufacturers and suppliers of standard and bespoke vacuum products.
For all enquiries please contact us on:



Complete solutions for vacuum engineering, research and OEM



Menzies Road, Ponswood Industrial Estate, St. Leonards on Sea, East Sussex, TN38 9BB, England

Telephone: + 44 (0)1424 442121

Fax: + 44 (0)1424 719696

Email: sales@itl-vacuum.com

www.itl-vacuum.com