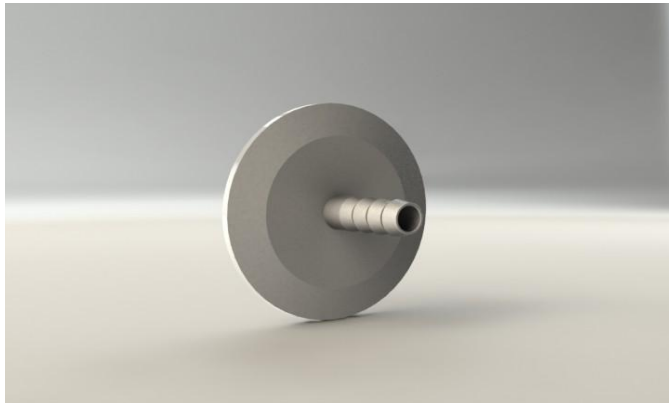


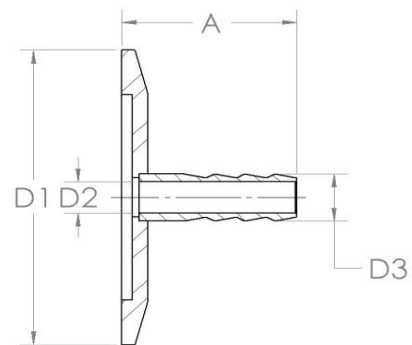
ITL Part Code - KF40HNS



Specification

Material: 304L Stainless Steel

A	D1	D2	D3
40 (1.57)	55 (2.17)	7 (0.28)	12 (0.47)



Specialist UK manufacturers and suppliers of standard and bespoke vacuum products.
For all enquiries please contact us on: