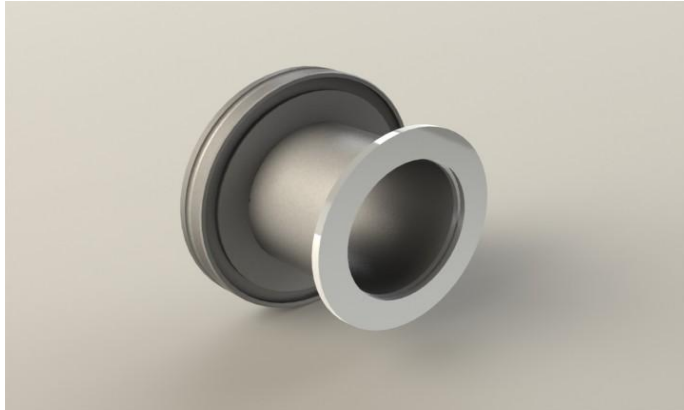


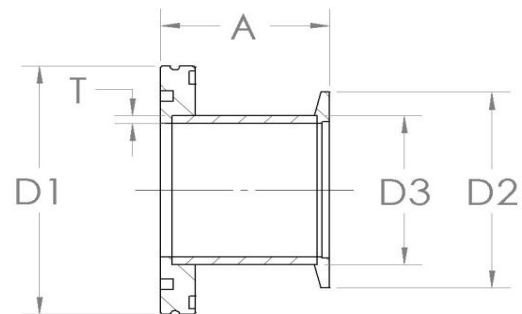
ITL Part Code - SK6350



Specification

Material: 304L Stainless Steel

A	D1	D2	D3	T
50 (1.97)	95 (3.74)	75 (2.95)	57.0 (2.24)	3 (0.12)



Specialist UK manufacturers and suppliers of standard and bespoke vacuum products.
For all enquiries please contact us on: