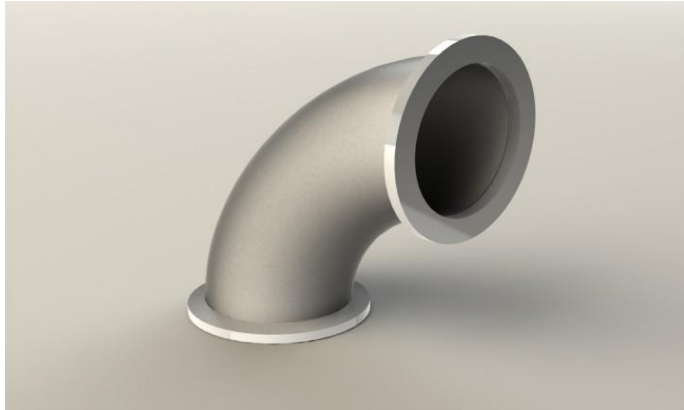


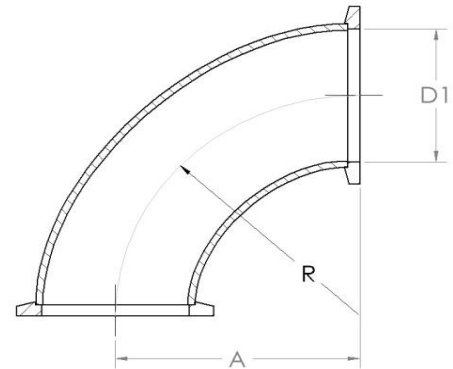
ITL Part Code - EL25K



Specification

Material: 304L Stainless Steel

A	D1	R
50 (1.97)	28.0 (1.10)	37 (1.46)



Specialist UK manufacturers and suppliers of standard and bespoke vacuum products.
For all enquiries please contact us on: