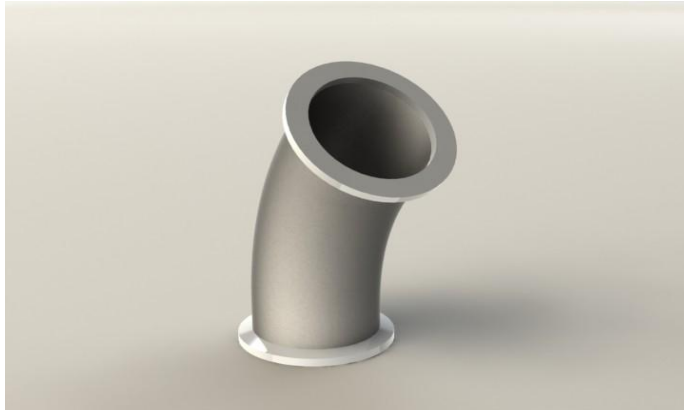


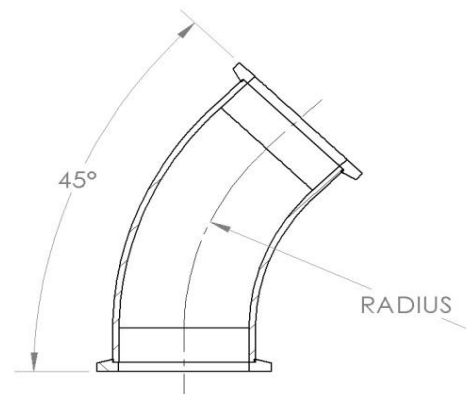
## ITL Part Code - EL416KF



### **Specification**

*Material: 304L Stainless Steel*

R
40 (1.57)



**Specialist UK manufacturers and suppliers of standard and bespoke vacuum products.**  
**For all enquiries please contact us on:**