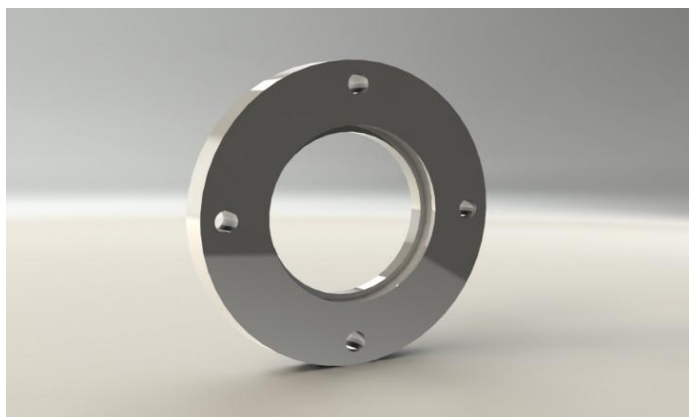


ITL Part Code - ISO160F159

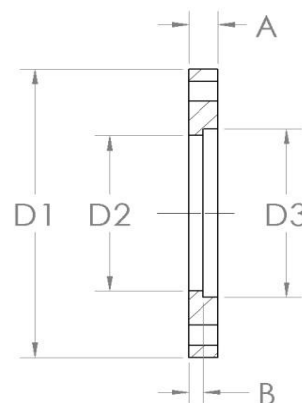


Specification

Material: 304L Stainless Steel

Imperial tube and special bores available on request. D3 = Tube Diameter

A	B	D1	D2	D3
12 (0.47)	6 (0.24)	165 (6.50)	102 (4.02)	108 (4.25)



Specialist UK manufacturers and suppliers of standard and bespoke vacuum products.
For all enquiries please contact us on: