

## ITL Part Code - ISO100TU

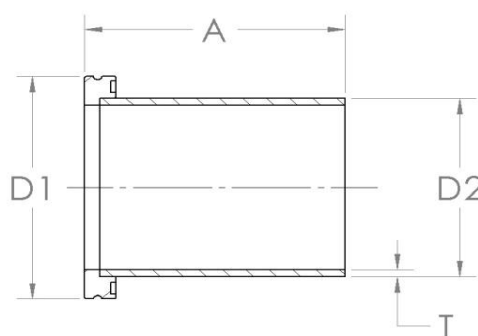


**Specification:**

Material: 304L Stainless Steel

Special lengths available on request.

A	D1	D2	T
100 (3.94)	130 (5.12)	108 (4.25)	3.0 (0.12)



**Specialist UK manufacturers and suppliers of standard and bespoke vacuum products.**  
**For all enquiries please contact us on:**