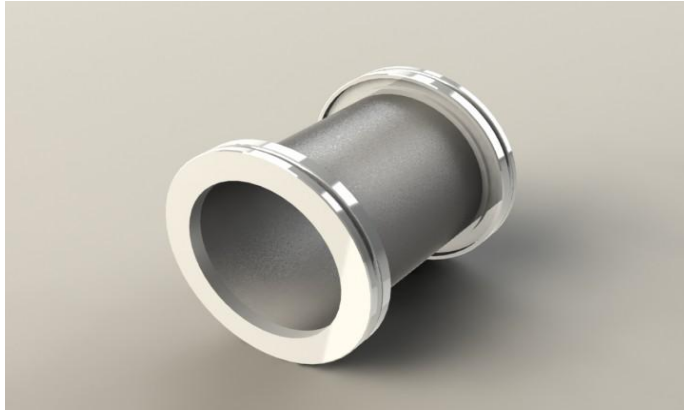


ITL Part Code - ISO63SC

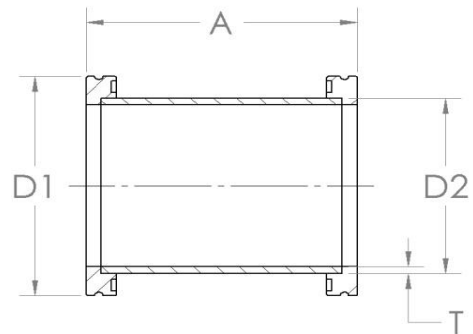


Specification:

Material: 304L Stainless Steel

Special lengths available on request.

A	D1	D2	T
100 (3.94)	95 (3.74)	76 (2.99)	3 (0.12)



Specialist UK manufacturers and suppliers of standard and bespoke vacuum products.
For all enquiries please contact us on: