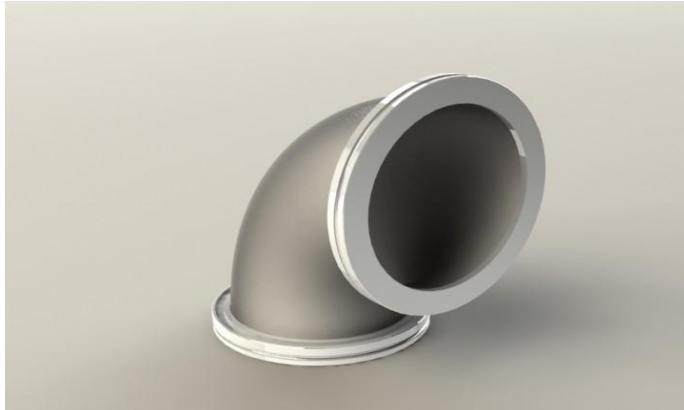


## ITL Part Code - ISO63E



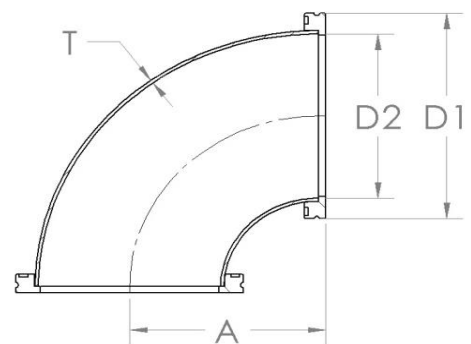
**Specification:**

Material: 304L Stainless Steel

R = Radius Elbow

M = Mitred Elbow

A	D1	D2	T	Elbow
88 (3.46)	95 (3.74)	70 (2.76)	2 (0.08)	R



**Specialist UK manufacturers and suppliers of standard and bespoke vacuum products.**  
**For all enquiries please contact us on:**