

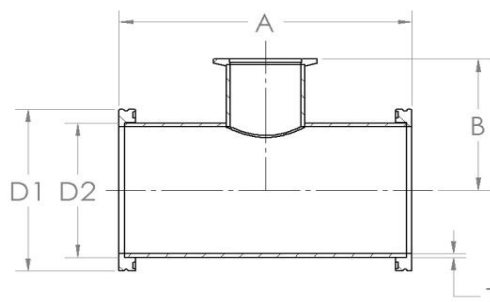
ITL Part Code - ISO100TE25



Specification:

Material: 304L Stainless Steel

A	B	D1	D2	T
260 (10.24)	98 (3.86)	130 (5.12)	108 (4.25)	3 (0.12)



Specialist UK manufacturers and suppliers of standard and bespoke vacuum products.
For all enquiries please contact us on: