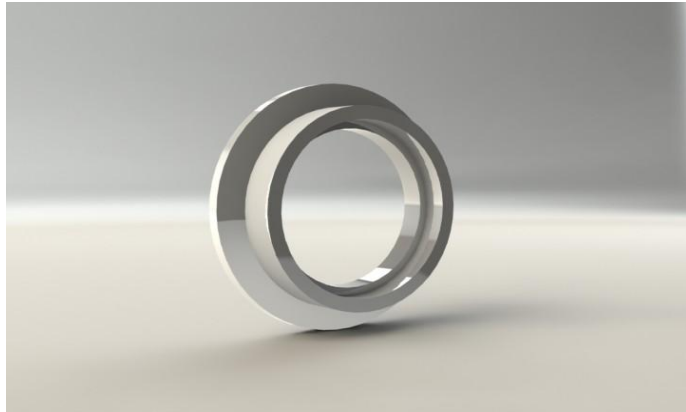
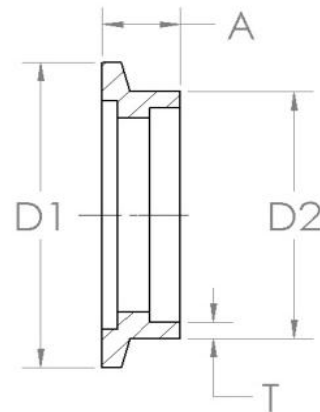


## ITL Part Code - KF25W



*Material: 304L Stainless steel*

A	D1	D2	T
12.7 (0.50)	40 (1.57)	28.6 (1.13)	1.35 (0.05)



**Specialist UK manufacturers and suppliers of standard and bespoke vacuum products.**  
**For all enquiries please contact us on:**